

### Operation & Maintenance Manual

SA-TITAN-PENDANT  
SA-TITAN-PENDANT24



<input type="checkbox"/>	Explosion Proof Lighting	II 2 G Ex db op is II CT* Gb II 2 D Ex tb op is II CT* Db
<input type="checkbox"/>	Industrial Lighting	

RoHS



### 1. Brief Introduction

1.1. LED source, aluminium alloy enclosure. Small size, high safety and stability.

### Application

- 2.1. Ex type: a. Petroleum Industry, Petrochemical Industry, Metallurgical Industry, Power Generation Industry, Power Transmission Industry, Machine Manufacturing. etc.
- b. Drilling platform, single point moorings, oil tanks, work over platform, production platform, field tank, manifold center, pumping station, gasoline station, transformer station, coating plant warehouse .etc.
- 2.2. Industrial type: Suitable for many indoor and outdoor locations, such as metallurgy lane-way, large-scale cable trench, cement plants, warehouse, workshop, factory, power station and moistvibration locations.
- 2.3. Ambient temperature from -40°C to 55°C.

### 3. Executive standard

- 3.1. IEC 60079-0 Explosive atmospheres-Part 0: Equipment-General requirements
- 3.2. IEC 60079-1 Explosive atmospheres-Part 1: Equipment protection by flameproof enclosures "d"
- 3.3. IEC 60079-28 Explosive atmospheres - Part 28: Protection of equipment and transmission systems using optical radiation.
- 3.4. IEC 60079-31 Explosive atmospheres-Part 31: Equipment dust ignition protection by enclosure "t"
- 3.5. EN 60079-0 Explosive atmospheres-Part 0: Equipment-General requirements
- 3.6. EN 60079-1 Explosive atmospheres-Part 1: Equipment protection by flameproof enclosures "d"
- 3.7. EN 60079-28 Explosive atmospheres - Part 28: Protection of equipment and transmission systems using optical radiation.
- 3.8. EN 60079-31 Explosive atmospheres-Part 31: Equipment dust ignition protection by enclosure "t"
- 3.7. EN 55015 Limits and methods of measurement of radio disturbance characteristics of electrical lighting and similar equipment
- 3.8. EN 60598-1 Luminaires-Part 1: General requirements and tests
- 3.9. EN 62321 Electrotechnical products - Determination of levels of six regulated substances (lead, mercury, cadmium, hexavalent chromium, polybrominated biphenyls, polybrominated diphenyl ethers)

### 4. Product certification

4.1. ATEX, IECEx, ABS, CE and RoHS.

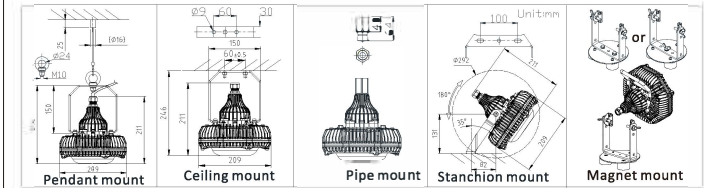
### 5. Caution

- 5.1. This product should be installed and maintained by qualified electrician only.
- 5.2. Do not operate in ambient temperatures above those indicated on the nameplate.
- 5.3. Repair of the flameproof joint must be made in compliance with the structural specifications provided by the manufacturer.
- 5.4. Make sure the electrical power is OFF before making installation and maintenance.
- 5.5. Do not open when energized.
- 5.6. After de-energizing, delay 10 minutes before opening.

### 6. Installation method

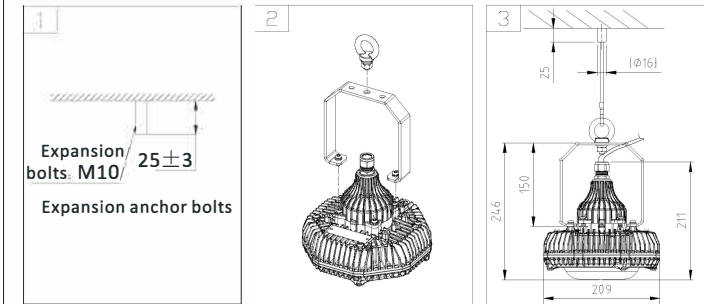
Remarks:

- Cable gland sealing torque equals to 35N\*M~40N\*M.
  - Equipment can only be wiped out with wet cloth in order to avoid electrostatic electricity.
  - The minimum cross section area of external earth cable shall be 4 mm<sup>2</sup>
  - When maintaining or inspecting, the dust accumulated on the surface of the enclosure can only be wiped out with wet cloth, so as to avoid hazard of electrostatic electricity.
  - Certified cable gland and certified stopping plug should be used for the luminaires.
- If using KHJ cable glands, the suitable cables are as follows:  
M20 armored cable gland suitable for use with cables of outer diameter 12.5-20.9mm and inner diameter 6.5-13.9mm ;  
M25 / NPT3 / 4 armored cable gland suitable for use with cables of outer diameter 14-22mm and inner diameter 11.1-19.9mm.  
M20 non-armored cable gland suitable for use with 9.5-15.9mm cables.  
M25 / NPT3 / 4 non-armored cable gland suitable for use with 12.5-20.5mm cables.  
If your cables are in other sizes, pls choose suitable cable glands.

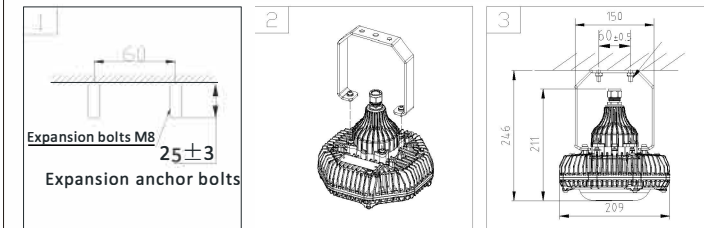


- 6.1. Install M10 expansion anchor bolts correctly as per different installation methods.
- 6.2. Fix the brackets to the right places on the light fitting.
- 6.3. Fix the light fitting with flat washer, lock washer and bolt nut to the expansion anchor bolts.
- 6.4. Installation drawings:

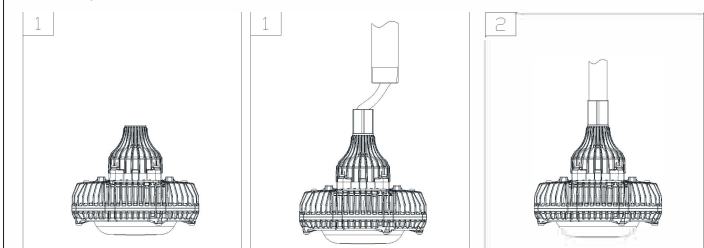
#### 6.4.1. Pendant mount:



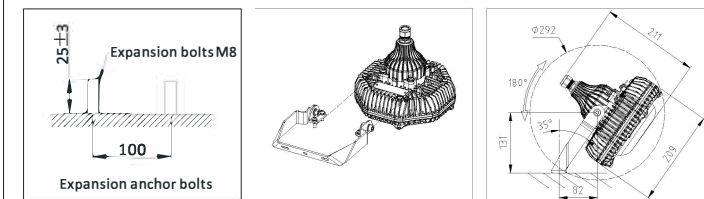
#### 6.4.2. Ceiling mount:



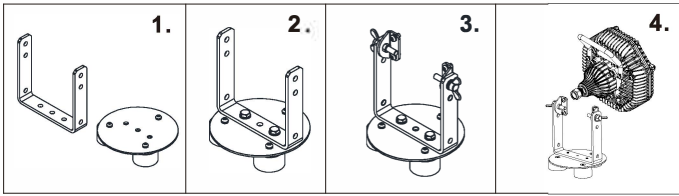
#### 6.4.3. Pipe mount:



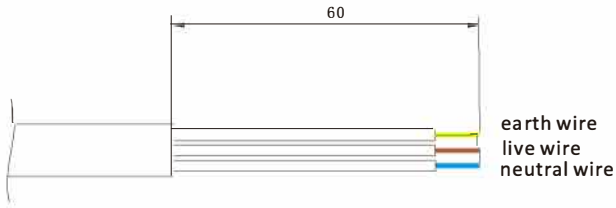
#### 6.4.4. Stanchion mount:



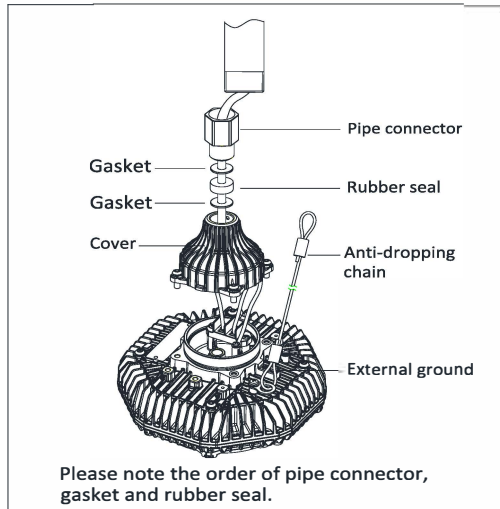
- 6.4.5. Fix the magnet bracket to the lamp:: Use M6 inner hexagon screw to install the magnet accessories on the lamp as the picture below.



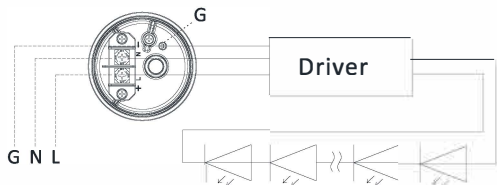
6.5. Select suitable input cable with stripping length (L:60mm, N:60mm, GND:60mm).  
 (Note: If the customer chooses the self-purchased cable gland, to avoid bad sealing, please make sure the cable gland and the cable adopted are match up well.



- 6.6. Open the side cover.
- 6.7. Remove the cable gland, loosen the screws and wire clips.
- 6.8. Put the cable through the cable gland to the terminal box, do wiring and fasten the cable gland.



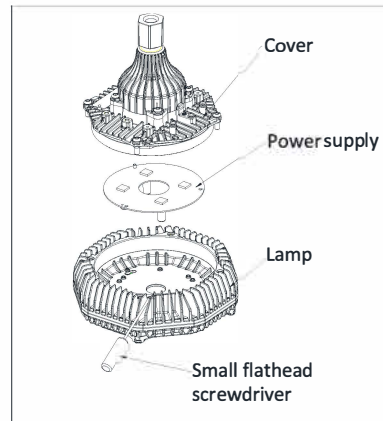
- 6.9. Fix the side cover.
- 6.10. External grounding.
- 6.11. Install the safety chain to the installation surface.
- 6.12. Luminaire wiring diagram.



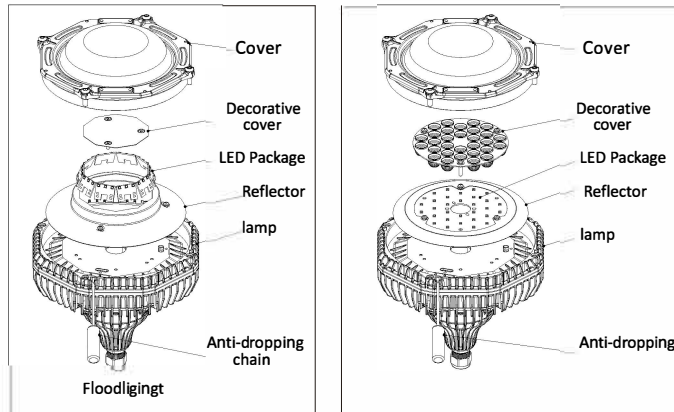
## 7. Maintenance

- 7.1. LED PCB Replacement
  - 7.1.1. Open the front cover.
  - 7.1.2. Take the decoration cover and reflector off.
  - 7.1.3. Replace the LED PCB, and connect the LED PCB with the power supply.
  - 7.1.4. Fix all the parts back.

Note: The seal ring should be assembled well.



- 7.2. Power supply replacement
  - 7.2.1. Open the rear cover.
  - 7.2.2. Take the faulty power supply off.
  - 7.2.3. Replace a new power supply.
  - 7.2.4. Fix all the parts back.



## 9. Trouble shooting

Trouble shooting	Analysis	Correction
Fail to work	No power	Check the circuit
	LED damaged	Replace LED PCB
	Driver damaged	Replace LED driver
Other problems		Contact KHJ service center

Do NOT conduct any on-site maintenance.

### Extended Warranty:

All NightSearcher products have a 3-year standard warranty on all manufacturing defects and 1-year warranty on all rechargeable batteries from the date of purchase. For extended 5 year warranty please visit [www.nightsearcher.co.uk](http://www.nightsearcher.co.uk) proof of purchase is required. To view NightSearcher's warranty policy, please visit: <https://nightsearcher.co.uk/en/extended-warranty.html> or scan the QR code.



NightSearcher Limited, Unit 4 Applied House, Fitzherbert Spur, Farlington, Portsmouth, Hampshire, PO6 1TT, UK  
 T: +44 (0)23 9238 9774  
 E: [sales@nightsearcher.co.uk](mailto:sales@nightsearcher.co.uk)  
 W: [www.nightsearcher.co.uk](http://www.nightsearcher.co.uk)

### Safe disposal of waste electrical products, batteries and bulbs



If at any time, you need to dispose of this product or parts of this product: please note that waste electrical products, bulbs and batteries should not be disposed of with ordinary household waste.

Recycle where facilities exist. Check with your local authority for recycling advice. Alternatively, NightSearcher is happy to take receipt of this product at end-of-life and will recycle it on your behalf.